

MAGNETIC FLOAT LEVEL SWITCH

TOP MOUNTED



MODEL CODE : KLC

SPECIAL FEATURES

- ECONOMICAL
- STURDY AND VERSATILE
- EASY INSTALLATION
- RUGGED CONSTRUCTION
- MULTI APPLICATION

APPLICATIONS

- OIL RESERVOIR
- COOLANT TANK
- STERILIZING EQUIPMENT
- CHEMICAL PROCESSING SYSTEM
- PUMP CONTROL

SPECIFICATIONS

STANDARD VERSION :

Housing material	: Die-cast Aluminum
Ingress Protection	: IP 65
Material of Wetted parts	: AISI 316 SS
Float Diameter	: 43 mm (47 mm at welded seam)

Cable Entry	: 1/2" BSP (F) with 1/2" BSP (M) Conduit
Switch Differential	: Fixed < 10 mm
Reed Switch	: 1 SPST
Switch rating	: 0.5 A / 250 VAC

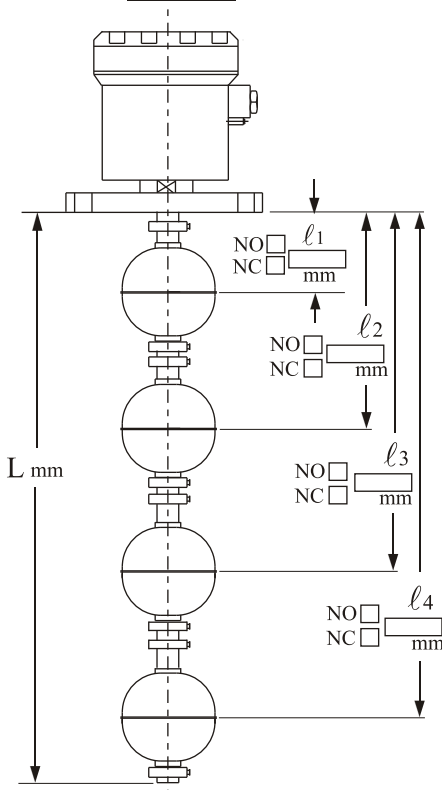
Minimum Specific Gravity	: 0.8
Maximum Operating Temperature	: 100 °C
Maximum Operating Pressure	: 10 kg/cm ²



DIMENSIONS - STANDARD VERSION

FLANGED WITH HOUSING

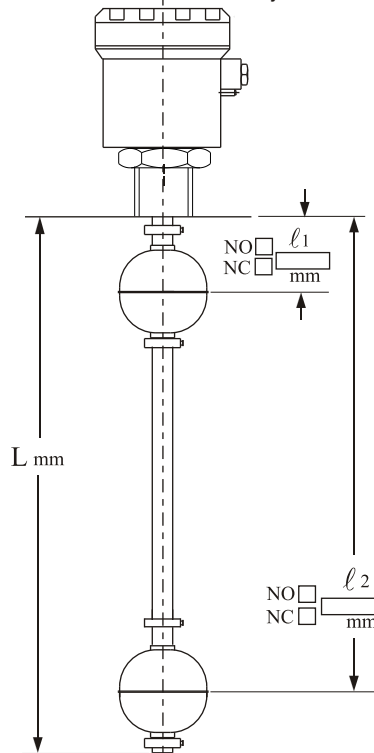
TYPE - 1



SCREWED WITH HOUSING

TYPE - 2

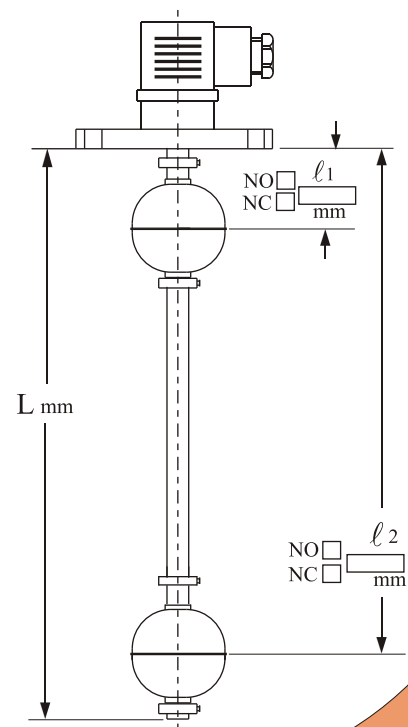
Suitable for two float only



FLANGED WITH DIN CONNECTOR

TYPE - 3

Suitable for two float only



Notes : • Drawings are not to scale. • All Dimensions are in mm

KLEEV USA INC.

833 Claude Laurel Dr, Apex, NC 27523, USA Telephone : +1(919)-267-3859 Fax : +1(919)-267-3859

Email : info@kleevusa.com Website : www.kleevusa.com

LEVEL SWITCHES

MAGNETIC FLOAT LEVEL SWITCH

TOP MOUNTED



MODEL CODE : KLC

HOW TO ORDER

BASIC MODEL

TYPE

- 1 FLANGED WITH HOUSING
- 2 SCREWED WITH HOUSING
- 3 FLANGED WITH DIN CONNECTOR

HOUSING MATERIAL

- D** DIE CAST ALUMINUM (for type 1 & 2 only) **X** AISI 304 SS
- E** PLASTIC (For Type 3 only) **Y** AISI 316 SS

REED SWITCH (*Available for Type 1 & 2 only)

- 1 1 SPST (0.5 Amp, 230 VAC) (Standard)
- 2 1 SPDT (0.5 Amp, 230 VAC)*

PROCESS CONNECTION MATERIAL

- TM** AISI 316 SS (Standard)
- TL** AISI 316L SS
- TK** AISI 304 SS

PROCESS CONNECTION (*Float Diameter will be 25 mm, Seam diameter 28 mm)

		Flanged (As per ANSI B 16.5)					
D01	92 mm PCD SQUARE FLANGE	6NM	1" NPT (M)*	B39	2" 150# RF	B40	2" 300# RF
D02	92 mm PCD ROUND FLANGE (Standard)	7NM	1 1/2" NPT (M)*	B45	2 1/2" 150# RF	B46	2 1/2" 300# RF
D05	61 mm PCD ROUND FLANGE	8NM	2" NPT (M)*	B51	3" 150# RF	B52	3" 300# RF
D06	65 mm PCD ROUND FLANGE	6BM	1" BSP (M)*	C33	4" 150# RF	C34	4" 300# RF
		7BM	1 1/2" BSP (M)*				
		8BM	2" BSP (M)*				

PROBE LENGTH (L)

Please specify in mm between 200 mm to 3000 mm.

NUMBER OF FLOATS (For Type 3, select 1 or 2 floats only)

- 1 ONE 2 TWO 3 THREE 4 FOUR

SWITCH POINTS (Distance below process connection)

- L1** **L2** **L3** **L4**

(Please specify in mm. Example: L1= 60 mm, L2 = 180 mm, L3 = 320 mm & L4 = 600 mm)
(Minimum distance between two set points ≥100 mm)

SWITCHING MODES (Distance below process connection)

- L1** **L2** **L3** **L4**

(Example: L1= NO or NC, L2 = NO or NC, L3 = NO or NC & L4 = NO or NC)

Please specify whether NO or NC against the respective switching points

OPTIONS

FOR NON STANDARD PRODUCTS/OPTIONAL ITEMS, PLEASE CONTACT FACTORY FOR DELIVERY AND MINIMUM QUANTITY OF ORDER.

- MF** MATCHING FLANGE
- SX** SS TAG PLATE
- GH** MATERIAL TEST CERTIFICATES**
- GB** HOUSING - SUITABLE FOR GAS GROUP II A / II B
- GC** HOUSING - SUITABLE FOR GAS GROUP II C

** MATERIAL TEST CERTIFICATES WILL BE PROVIDED FOR WETTED PARTS ONLY WITH CHEMICAL COMPOSITION TESTING. FOR OTHERS, PLEASE CONSULT FACTORY.

Ordering Example: KLC - 1 - D - 1 - TM - B39 - 200mm - 1 - L1=60 - L1=NO - GB

Note : Specifications and dimensions given in this product catalogue represents the state of engineering at the time of printing.

Modifications may take place and materials specified may be replaced by others without prior notice.

Example

KLC

1

D

1

TM

B39

200mm

1

L1 = 60
L2 = 180
L3 = 320
L4 = 600

L1 = NO
L2 = NC
L3 = NO
L4 = NC

KLEEV USA INC.

833 Claude Laurel Dr, Apex, NC 27523, USA Telephone : +1(919)-267-3859 Fax : +1(919)-267-3859

Email : info@kleevusa.com Website : www.kleevusa.com

LEVEL SWITCHES