



LIQUID CONTROLS

Simply the Best™



**Positive Displacement
Meters and Accessories**





Premier products, premier performance

Applications

Truck metering

- Refined fuels
- LPG
- Aviation fuel
- Lube oils
- Agricultural chemicals

Bulk plant/terminal metering

- Crude petroleum products
- Refined petroleum products and LPG
- Industrial chemicals/solvents
- Marine fuel/bunker oil
- Hot Asphalt/Asphalt Emulsions

Industrial process metering

- Liquid sweeteners/corn syrup
- Paints and coatings
- Pulp and paper
- Pharmaceuticals
- Printing inks
- Cosmetics
- Concrete add mixtures
- Industrial liquids

Liquid Controls is a world renowned supplier of reliable, high-accuracy positive displacement (PD) metering systems. Whether your business requires flow measurement for custody transfer or process control, with an LC PD meter on your delivery vehicle, at your bulk shipping facility or at your plant, you'll get years of consistently accurate, trouble-free service. And because of the ease of installation, minimal maintenance and few replacement parts, you'll appreciate the low cost of owning and operating LC positive displacement meters.

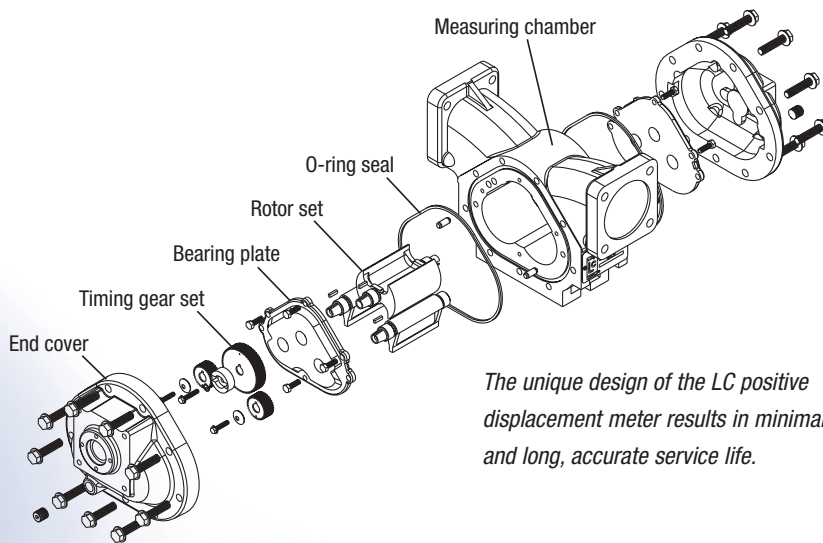
Features and benefits

LC meters are exclusively engineered with no metal-to-metal contact within the measuring chamber, making use of a thin liquid capillary film between rotating and stationary components for hydraulic sealing. This unique design results in **minimal wear, sustained accuracy, and low operating costs**. When measuring the flow of a broad range of products, LC's innovative design results in minimal resistance to flow and the ability to operate on pump pressure or gravity feed. That means efficient performance and **low pressure drop** across the meter. LC's combination of low pressure drop with minimum seal or slippage area offers better accuracy over a wide range of flow than many other commercially produced PD meters.

The simplicity in design and high quality manufacturing make LC meters more reliable and less costly to operate than other meters. And, multiple installation configurations provide greater mounting versatility. In many cases, you can replace your existing meter with an LC meter with minimal disruption to system piping and components.



LC's three-rotor positive displacement measuring chamber.



The unique design of the LC positive displacement meter results in minimal wear and long, accurate service life.

System accessories

Liquid Controls' innovation extends beyond meters to system components and accessories. Precision-engineered and manufactured LC strainers, air eliminators, and valves provide unsurpassed performance across a wide range of liquids and applications.

LC meters are also available with your choice of mechanical or electronic registers. Our state-of-the-art family of LectroCount™ electronic registers provide your meter with automated control and data management capability to improve productivity, lower your costs and increase your profits.

At Liquid Controls' ISO-certified facility in Lake Bluff, Illinois, LC metering systems are manufactured to last. Meters crafted with quality decades ago are still in operation today. Our metering systems are sold and serviced by a worldwide network of qualified distributors and OEMs. And they're backed by our reputation for quality, accuracy and reliability. That's why Liquid Controls continues to lead the industry in Weights and Measures-approved custody transfer metering, and why you'll want your business to include Liquid Controls products.

The LC metering element

- Provides custody transfer accuracy
- Performs well with a wide range of liquids, from low viscosity to high viscosity
- Minimizes inaccuracies due to clearance changes and wear common to other meter designs
- Performs with equal accuracy when flow is in either direction (forward or reverse)
- Operates without axial thrust on rotor bearings for longer life
- Adapts to multiple installation positions
- Includes Weights and Measures approvals, worldwide

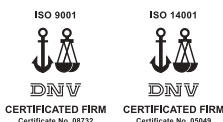
Linearity (over 10:1 range)

Capable of $\pm 0.10\%$

Repeatability

Capable of 0.03%

For complete specifications, refer to page 14.



Meters

LC meters are known worldwide for exceptional accuracy, reliability and longevity in a broad range of applications. From truck applications metering refined petroleum products to process applications for batching and blending a wide range of industrial liquids, LC meters are “Simply the Best.”

Truck meters

For custody transfer applications requiring Weights and Measures-approved accuracy, LC M and MA Series truck meters provide among the industry’s most time-proven and respected records of superior performance. LC truck meter accessories include air eliminators, strainers, valves, and a choice of mechanical or electronic registers and printers for presetting, totalizing deliveries, and printing tickets. The design of the meters and accessories provides a level of performance and ease of installation that will be appreciated by vehicle fabricators and end-user customers. Common configurations of truck meters with your choice of mechanical or electronic registration are pictured to the right. Refer to the table on page 5 for a complete listing of M and MA Series meters.



MA-7 with electronic registration for LPG

M-25 with electronic registration for aviation fuel



M-7 with electronic registration for refined fuels (with high-capacity air eliminator)



Meter with mechanical counter and printer



MS meter with electronic registration



MSA meter with mechanical registration

Common truck meter model numbers

Application	Description	Model
Refined fuels	2"; 100-GPM aluminum-body meter with strainer/air eliminator, backcheck valve, preset valve, electronic register and printer	M-7-CLI-1/LCR-II
Liquid propane gas (LPG)	2"; 100-GPM aluminum-body meter with strainer/vapor eliminator, inlet backcheck valve, differential valve, electronic register and printer	MA-7-CLI-10/LCR-II
Aviation fuel	3"; 300-GPM aluminum-body meter with register and printer	M-25-E-2

Bulk plant and loading terminal meters

The larger sizes of M and MS Series meters are ideal for bulk measurement of product during loading and unloading of tanks, transports, railcars, ships, barges and more. The MS Series meters are housed in a spherical steel case for higher system pressure applications up to 1440 PSI. MS Series spherical case meters provide the ruggedness, accuracy, and selection of inlet/outlet configurations to handle nearly any bulk metering requirement. Meter accessories include bulk air/vapor eliminators, strainers, valves, and mechanical or electronic meter registers. Refer to table on page 5.

Common load rack/terminal meter model number

Application	Description	Model
Refined fuels	4"; 700-GPM spherical-case meter with strainer/air eliminator, valve and register	MS-75-K-1

Industrial/process meters

LC PD meters in aluminum, stainless steel, brass and cast iron provide the necessary accuracy for batch processing, flow rate control, blending and custody transfer of liquids across a broad range of products, viscosities, temperatures, pressures and flow rates.

Model	Metallurgy	Application class (see table at bottom)
M-5, 7; MSAA-7, 15, 30, 120	Stainless steel	8
M-7, 30	Cast iron	7, 27, 37
M-7	Brass	20
MS/MSAA/MSA/MSB/MS-C-7, 15, 30, 75, 120	Steel	1, 2, 10, 14, 16, 37

Common process meter model numbers

Application	Description	Model
Solvents	2" 100-GPM aluminum meter with counter	M-7-A-16
Liquid sweeteners	2" 100-GPM aluminum meter with counter	M-7-A-3
Water	2" 80-GPM brass meter with counter	M-7-A-20
Acids	2" 80-GPM 316 stainless steel meter with counter	M-7-A-8
Caustics	2" 100-GPM cast iron meter with counter	M-7-A-7



Stainless steel M-7, Class 8 meter with POD pulser

LC meter selection (by flow rate)

Maximum nominal flow rate		Flange size	Maximum non-shock working pressure [†]					Construction classes / typical application (see descriptions below)
GPM	L/min		150 PSI 10.5 BAR	275 PSI 19 BAR	300 PSI 21 BAR	350 PSI 24 BAR	720 PSI 50 BAR	
30	113	1½"				MA-4		10
60	227	1½", 2" optional	M-5	M-5		MA-5		1, 2, 3, 4, 8, 10, 14, 16, 30
100	380	2", 1½" optional	M-7	M-7		MA-7		1, 2, 3, 4, 7, 8, 10, 12, 14, 15, 16, 20, 27, 37
100	380	2", 1½" optional	MS-7	MSAA-7	MSA-7		MSB-7 MSC-7	1, 2, 7, 10, 14, 16, 37
150	550	2"	M-10	M-10				1, 2
200	257	3"	M-15	M-15		MA-15		1, 2, 3, 4, 10, 14, 15, 16
200	257	3"	MS-15	MSA-15	MSA-15		MSB-15 MSC-15	1, 2, 8, 10, 14, 16
300	1,136	3"	M-25	M-25				1, 2
350	1,325	4", 3" optional	M-30					1, 2, 3, 4, 7, 14, 15, 16, 27, 37, 47
350	1,325	4", 3" optional	MS-30	MSAA-30	MSA-30		MSB-30 MSC-30	1, 2, 8, 10, 14, 16
450	1,700	4"	M-40					1, 2
450	1,700	4"	MS-40					1, 2
600	2,271	4", 6" optional	M-60	M-60				1, 2, 3, 14, 15
700	2,650	4"	MS-75	MSAA-75	MSA-75		MSB-75 MSC-75	1, 2, 10, 14
800	3,000	6", 4" optional	M-80	M-80				2
1,000	3,785	6" or 8"	MS-120	MSAA-120	MSA-120		MSB-120 MSC-120	1, 2, 8, 10, 14

Standard LC meters (with the exception of the M-10, M-25, M-40 and M-80) are suitable for operation on products with viscosities up to 1,000,000 SSU.

[†]Working pressure ratings are based on products at temperatures below 160° F (71° C)

Construction / application classes

Class 1 Refined petroleum products

Class 2 Aviation and jet fuel

Class 3 Variety of products including: liquid sugars, sweeteners, syrups, vegetable oils

Class 4 Treated waters and solvents where no red metals are allowed

Class 7 Chlorinated solvents

Class 8 Acid pH liquids including: nitric, phosphoric, glacial acetic acids, citric juices, vinegar

Class 10 Liquid petroleum gas (LPG)

Class 12 Anhydrous ammonia (NH₃)

Class 14 Crude oil

Class 15 Oil- or water-based latex products, polyester resins, adhesives, herbicides, nitrogen fertilizers

Class 16 General solvents, 200 proof alcohol

Class 20 Batch process water meter service

Class 27 Alkaline pH liquids: latex products, adhesives, liquid fertilizers

Class 30 Herbicides

Class 37 Sodium hydroxide solutions, high sulfur crude oil, alkaline pH liquids

Class 47 Mildly abrasive liquids

Meter registration equipment

Liquid Controls provides a choice of Weights and Measures-approved mechanical or electronic registration, ticket printing and control systems for truck-mounted or fixed-site meter applications. Both technologies provide recording functions for totalizing, inventory control, billing, batching and ticketing.

Mechanical registration

Mechanical registers have traditionally been used in a variety of mobile and fixed-site applications. Mechanical registers are ideal for applications without electrical power and can be installed on virtually all LC meters.



Mechanical counter with ticket printer—Large-numeral counter provides 5-digit resettable and 8-digit non-resettable totalizers. Printer generates an imprinted record of the transaction, legal for use in resale applications.



Mechanical preset counter—Available for either single-stage or two-stage valve closure. Sets a predetermined volume and controls a mechanically linked valve. Optional microswitches convert mechanical motion to an electronic signal for control of remotely located valve, pump and/or alarms.



Counter-mounted pulser—Supplies an electrical signal to remote totalizers, batch controllers, rate-of-flow recorders, etc. Pulser models include Dry Reed (1 or 10 pulses per revolution), solid state single channel (100 pulses per channel) or solid state quadrature (50 pulses per channel).



Mechanical rate-of-flow indicator—Direct-reading dial providing instantaneous response and dependable accuracy to within 1% of flow rate through meter. Cast aluminum case with ball bearings throughout. Readouts available in gallons, liters and dekaliters per minute.



Mechanical temperature volume compensator—Uses a fluid-filled capillary system to sense product temperature and automatically correct counter reading for product volume changes due to temperature. When the temperature is 60° F, a 1:1 output ratio is supplied to the register. Output ratio is adjusted upward or downward depending on temperature fluctuation around 60° F.

Electronic registration

Liquid Controls' family of LectroCount™ electronic registers provide near-perfect metering accuracy over a full range of flow rates and deliver enhanced functions including: automated data collection (i.e., date, time, product, delivery quantity and more), on-site ticket generation, meter linearization, electronic temperature volume compensation, real-time communication capabilities (RF, GPS, CDPD), improved security and more.



LectroCount™ electronic register—Compatible with virtually all flow meters, the family of NEMA 4X LectroCount electronic registers is UL Class 1 listed and Weights and Measures approved. A simple “Run,” “Stop,” “Print” operator selector switch makes product delivery easy. The large 6-digit weatherproof LCD display provides readout of totalizer, preset quantity, flow rate, temperature, time, and more. Available with electronic temperature volume compensator to eliminate the effect of product temperature change on measured volume. Easy field calibration to Weights and Measures standards. No moving parts for long life and accurate performance.



Data entry—LectroCount is compatible with a variety of RS 232/485 data entry devices including LC Lap Pad, handheld computer or lap-top PC. Easy to set up and operate for calibration, presets, customized data fields, ticket formats and delivery data.



Printer—For all mobile and stationary applications from -40°F to 158°F (-40°C to 70°C). Printer generates an imprinted record of the transaction, legal for use in resale applications.



Valve—Diaphragm type, electrically (solenoid) actuated, aluminum body available with flanged or NPT connections. All valves provide downstream to upstream thermal relief and fail-safe closure.



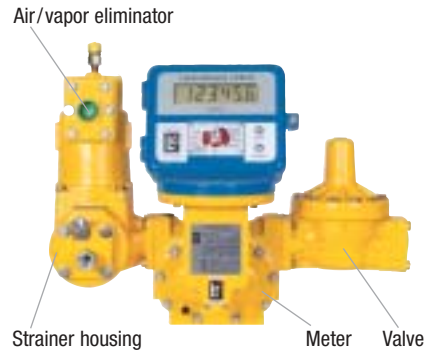
Pulse output device—Weights and Measures approved, provides a high resolution, unscaled pulse stream. The meter rotor is magnetically coupled to an optical encoder that has a signal which is directly proportional to the liquid flow through the meter. No dynamic seals to fail or leak. Easily adapts to most remote totalizers, batch controllers, computers and other scalable pulse receiving devices.

Accessories air/vapor eliminators and strainers

Liquid Controls provides a variety of precision-engineered accessories including strainers, air and vapor eliminators, and valves designed to ensure that your measuring system performs accurately and trouble-free from startup and through the long service life of the equipment. Costly measuring inaccuracies or maintenance problems can result whenever air, vapor, rust, scale, or other foreign materials are introduced into the flow of liquid.

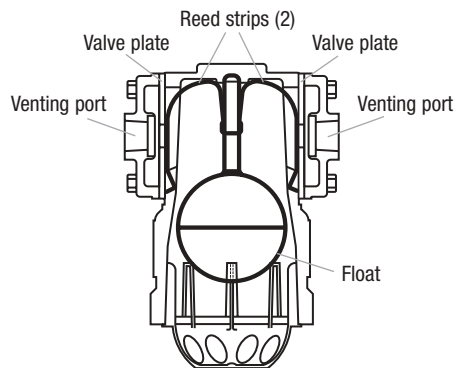
Air/vapor eliminators

Air and vapor eliminators are installed on the inlet side of the meter in order to maintain high accuracy of liquid measurement. The combination of an air eliminator with a downstream differential valve or air check valve minimizes the passage of air or vapor through the meter. The LC air eliminator consists of a housing that contains a float assembly. The float assembly, in combination with flexible reed strips and two orifice plates, promotes the elimination of free air or vapor through ports in the housing. Air/vapor elimination is required for Weights and Measures regulatory approvals in custody transfer applications. Four body metallurgies are available: aluminum for petroleum and LPG products, cast iron for chlorinated solvents and alkaline liquids, stainless steel for acidic solutions, and steel for applications on MS Series Meters.



Metallurgy	Pressure rating	Used with
Aluminum	150 PSI	M-5, 7, 10, 15, 25, 30, 40, 60 meters F-7, 15, 30 strainers
High pressure aluminum	350 PSI	MA-4, 5, 7, 15 meters FA-7, 15 strainers
Cast iron	150 PSI	M-7 meters F-7 strainers
Stainless steel	150 PSI	M-5, 7 stainless steel meters F-7 stainless steel strainers
Steel	Up to 300 PSI	MS, MSA and MSAA Series meters FS, FSA and FSAA Series strainers
Bulk plant	150 PSI	M and MS Series meters (Choice of 3", 4", 6" and 8" flange connections)

Typical construction details



Float-actuated reed strips uncover vent holes in valve plates when vapor is present, effectively eliminating free air or vapor from the system before it can enter the meter. Reed strips seal off vent holes when liquid level rises in chamber



Bulk plant air eliminators
Single head (shown) and dual head models available.

Strainers

Strainers are always recommended for application on the inlet side of the meter to help protect against damage caused by foreign particles in the liquid: i.e., rust, pipe scale, and burrs from new piping installations. Although strainers extend the service life of the meter once in operation, systems should always be flushed and completely free of foreign material before meter installation and startup. Strainer body metallurgies include aluminum, cast iron, brass, and stainless steel.

Model	Metallurgy	Flange size	Pressure rating	Used with
F-7	Aluminum	2"	150 PSI	M-5, M-7
FA-7	Aluminum	2"	350 PSI	MA-5, MA-7
F-7	Cast iron	2"	150 PSI	M-7
F-7	Brass	2"	150 PSI	M-7
F-7	Stainless steel	2"	150 PSI	M-5, M-7
F-15	Aluminum	3"	150 PSI	M-15, M-25
FA-15	Aluminum	3"	350 PSI	MA-15
F-30	Aluminum	4"	150 PSI	M-30, M-40, M-60
FS Series	Steel	2", 3", 4" and 6"	150 PSI	MS Series meters
FSAA Series	Steel	2", 3", 4" and 6"	275 PSI	MSAA Series meters
FSA Series	Steel	2", 3", 4" and 6"	300 PSI	MSA Series meters



Aluminum body



Cast iron or stainless steel body



Steel body for bulk plant systems

High capacity strainers/air eliminators

A high capacity strainer/air eliminator with optional check valve is highly recommended for metering refined fuels (gasoline, fuel oil, etc.) off tank wagons for custody transfer applications. The unit installs directly to the meter inlet and facilitates passing U.S. and Canadian Weights and Measures split compartment testing. Unit uses standard 100-mesh strainer basket (3" size).

Model	Flange size	Pressure rating	Used with
F-7 (Hi-cap)	2"	150 PSI	M-7, M-10
F-15 (Hi-cap)	3"	150 PSI	M-15, M-25



High-capacity air eliminator (available with optional outlet backcheck valve)

Strainer baskets

The proper strainer basket to use depends on the product and the viscosity of the product over the expected range of metering temperatures. The following table provides general application guidelines. Consult the factory for special recommendations.

Strainer mesh size	General application
200M	LPG, only
100M	Gasoline, solvents
80M	Gasoline (alternate), solvents
40M	Heating oil, diesel fuel, light oils
20M	Motor oils and other viscous products



Strainer basket

Accessories valves

Valves

Liquid Controls valves are designed for a wide range of applications, flow rates and minimum head loss. Careful engineering and construction ensure smooth, accurate and controlled operation. LC valves offer the important advantages of time-tested reliability and leak-tight shutoff.



V- and VS-Series piston valves for refined petroleum products and industrial liquids

The V-Series mechanically actuated piston valves are available in 2" through 4" sizes, and are designed for mounting on the meter outlet to provide tight shutoff with smooth and easy operation regardless of system line pressure. Valves may be manually operated or connected via a mechanical linkage to a preset counter on the meter for single stage closure, or two-stage closure to eliminate hydraulic shock. Valves are indexible in 90 increments for up, down, or side facing outlet.

Model	Body material ^a	Used with (Meter)	Companion flanges (NPT, BSPT, and slip weld)	Maximum capacity	Working pressure	Application class*
V-7 A-2600 Series	Aluminum ^b	M-5, M-7, M-10	1½" and 2"	150 GPM (550 LPM)	150 PSI (10.5 BAR)	1, 2, 3, 4, 14, 15, 16, 30
V-15 A-3600 Series	Aluminum	M-15, M-25	3"	300 GPM (1,136 LPM)	150 PSI (10.5 BAR)	1, 2, 3, 4, 14, 15, 16
V-30 A-4600 Series	Aluminum	M-30, M-40, M-60	4"	600 GPM (2,271 LPM)	150 PSI (10.5 BAR)	1, 2, 3, 4, 14, 15, 16
VS-3 A-36500 Series	Steel	MS-30, MS-40	3"	450 GPM (1,700 LPM)	300 PSI (21 BAR)	1, 14
VS-4 A-46500 Series	Steel	MS-75	4"	700 GPM (2,650 LPM)	300 PSI (21 BAR)	1, 14

^aAvailable seal material: V-7 (Viton, Buna, Teflon); V-15/30 (Viton or Teflon); VS-3/4 (Viton).

^bCast iron, stainless steel, and brass bodies also available for V-7 valves.



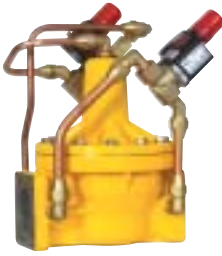
Differential valve for LPG and anhydrous ammonia

The differential valve—mounted on the meter outlet and connected at the valve bonnet to the vapor eliminator on the meter—functions to stop liquid flow whenever vapor is present in the system. The valve maintains sufficient pressure to ensure that high-vapor pressure products such as LPG or anhydrous ammonia (NH₃) always remain in the liquid state. The valve is spring loaded and designed to fail closed.

Model	Body material	Used with (Meter)	Companion flanges (NPT, BSPT, and slip weld)	Maximum capacity	Working pressure	Application class*
A-2843	Aluminum	MA-5, MA-7, MA-15 ^c	1½" and 2"	200 GPM (760 LPM)	350 PSI (24 BAR)	10, 12

^cRequires use of 3" x 2" reducing flange between meter outlet and valve (part no. A3245).

*See table on page 5.



Solenoid operated control valve for refined petroleum products and LPG

The A-2840 (refined fuels) and A-2858-11 (LPG) solenoid-operated control valves are installed at the meter outlet and are designed especially for use with Liquid Controls LectroCount³, LCR, and LCR-II electronic registers. These solenoid operated diaphragm valves can be applied for either single or two-stage closure. Valve is suitable for horizontal or vertical installation without modification.

Model	Body material	Used with (Meter)	Companion flanges (NPT, BSPT, and slip weld)	Maximum capacity	Working pressure	Application class*
A-2840 Series	Aluminum	M-5, M-7, M-10, M-15 ^d	1½" and 2"	200 GPM (760 LPM)	150 PSI (24 BAR)	1
A-2858-11	Aluminum	MA-5, MA-7, MA-15 ^d	1½" and 2"	200 GPM (760 LPM)	350 PSI (24 BAR)	10

^dRequires use of 3"x2" reducing flange between meter outlet and valve (part no. A3245).



Air activated differential check valves

The K-Series air-activated check valves are installed on the outlet side of the meter, and are designed to stop the flow of liquid whenever air is present to ensure accurate measurement of product. Used where air entrapment is of particular concern in the application, such as draining tanks.

Model	Body material	Used with (Meter)	Companion flanges (NPT, BSPT, and slip weld)	Maximum capacity	Working pressure	Application class*
K-7	Aluminum ^e	M-5, M-7, M-15	1½" and 2"	150 GPM (550 LPM)	150 PSI (10.5 BAR)	1, 2, 16, 30
K-15	Aluminum	M-15, M-25	3"	300 GPM (1,136 LPM)	150 PSI (10.5 BAR)	1, 2, 16
K-30 ^f	Aluminum	M-30	3"	300 GPM (1,136 LPM)	150 PSI (10.5 BAR)	1, 2, 16

^eCast iron and stainless steel metallurgies available for K7 series valves.

^fIncludes 4" to 3" reducer flange.

Back check valves

The soft-seat back check valves are designed for installation at the strainer inlet and are applied to prevent reverse flow (such as during hose rewind) and to eliminate counter advancement when the truck PTO is engaged. Back check valves include a soft-seat seal and built-in pressure relief to keep the meter, downstream piping, and delivery hose packed to a set pressure. Used on all LPG truck meters and in other applications as required.



Model	Body material	Used with (Meter)	Maximum capacity	Working pressure	Application class*
A-2882	Aluminum	M-5, M-7, M-10	100 GPM (380 LPM)	150 PSI (10.5 BAR)	1
A-2883	Aluminum	MA-5, MA-7	100 GPM (380 LPM)	350 PSI (24 BAR)	10

*See table on page 5.

Accessories valves



Spring-loaded check valves for refined petroleum products

Spring loaded metal-to-metal seat check valves are designed for mounting in the outlet collar of the strainer body, between the strainer and the meter inlet. Models are available for use with the standard air eliminator or high capacity air eliminator. Check valves are applied to maintain back pressure for increasing air/vapor eliminator efficiency and to prevent reverse flow of liquid. For refined petroleum products (fuel oil, gasoline, diesel fuel, etc).

Model	Seat material	Used with (Meter)	Maximum capacity	Application class*
46743	Plated steel	M-5	60 GPM (227 LPM)	1
46735	Plated steel	M-7, M-10	100 GPM (380 LPM)	1
49891 ^d	Plated steel	M-7, M-10	150 GPM (550 LPM)	1
41370	Plated steel	M-15, M-25	300 GPM (1,136 LPM)	1
49896 ^d	Plated steel	M-15, M-25	300 GPM (1,136 LPM)	1
41380	Plated steel	M-30, M-40	450 GPM (1,700 LPM)	1

^dApplied on meters supplied with high-capacity air eliminator/strainer.



Pilot-operated air check valve

The 7110 Series air check valve is for use with all MS, MSA and MSAA meters. The valve is offered in a steel body design with stainless steel tubing, pilot and fittings. The valve operates in conjunction with an LC air/vapor eliminator to stop flow whenever air or vapor is present in the liquid stream.

Body material	Used with (Meter)	Flange connections (ANSI 150 or 300)	Working pressure	Application class*
Steel	MS, MSA, MSAA Series	2" 3", 4" and 6"	150 or 300 PSI 10.5 or 21 BAR	1, 2, 10, 14, 16



Digital control valve

The model DCV is a hydraulic, diaphragm-actuated, steel-body digital control valve. The valve provides precise batch quantity control using an electronic digital batch controller. Ideal for loading rack and bulk metering applications.

Body material	Used with (Meter)	Flange connections (ANSI 150)	Working pressure	Application class*
Steel	MS Series	3" and 4"	280 PSI 19 BAR	1, 14

*See table on page 5.

Accessories fittings, mountings, adapters

Fittings, mountings and adapters

LC meters are designed and built for installation in a wide range of fixed site or mobile (truck-mounted) applications. They operate with equal accuracy whether they are configured for right, left or angled flow, and they accept a selection of flange-mounted adapters and fittings.

Flanges—Available in 1½" through 4" sizes for use with all M and MA Series meters and accessories. Available in aluminum, brass, nodular iron and stainless steel. Slip-weld versions available in aluminum, steel and stainless steel. Optional NPT or BSPT threads available. Flanges feature O-rings for improved sealing.

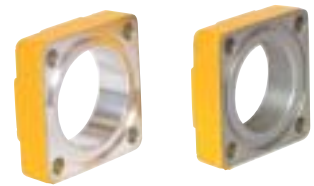
Elbows—Available for M-5 and M-7 meters to increase mounting flexibility for the meters and accessories. M-5 meters available with 45° and 90° rear facing elbows.

Victaulic connections—Used primarily in aviation refueling applications for M-60 and M-80 meters. M-60 and M-80 meters offered with 6" victaulic connections cast in body. M-60 meters available with elbows including 4" victaulic connections.

Hot oil/steam jacket—Consists of integral jacket and meter cover. Permits circulation of hot oil or low pressure steam to maintain product temperature within the metering chamber. For use on MS Series meters.

Thermowell—Available for electronic (RTD probe) temperature sensing or sensing with mechanical liquid-filled bulb. Supplied in the strainer cover assembly for M-5, M-7, M-10, M-15, M-25, M-30 and M40 or MA-4, MA-5, MA-7 and MA-15 series meters ordered with a strainer and Temperature Volume Compensation. A stainless steel 1" female NPT model is supplied for classes 7, 27, and 37 all ferrous construction meters and class 8 stainless steel meters. MS Series meters are supplied with a 1" half coupling welded to the inlet spool to accept the Thermowell.

Swivel—The swivel is installed below the counter or counter printer. Permits rotating counter or counter printer as desired throughout a 360° range. Designed for use with all LC meters with mechanical registers.



Accessories fittings, mountings, adapters

Register stack adapter and extension—Register stack extensions are available for high temperature applications to separate the register from the meter or as required for easier reading when the meter is mounted below visible level. The 90° angle counter adapter permits register to be positioned horizontally where meters are installed in a vertical configuration. The use of a 45° counter adapter provides an upward tilt for registers positioned below normal viewing level.



Gear plate—The gear plate is installed in the base of the mechanical counter to convert meter rotary shaft output to an engineered unit of measure. Changing units of measure is simple since all conversions are made with easily accessible gears. Designed for use with all LC meters with mechanical registers.



Specifications

LC meters meet NTEP (NIST Handbook 44) and International Weights and Measures accuracy requirements as well as U.S. Military specifications.

Accuracy / Performance^e

Repeatability

Meters with Mech. registration: capable of 0.05% of reading over entire range
Meters with Elect. registration: capable of 0.03% of reading over entire range

Linearity

- Over 5:1 range
Mech. registration: capable of $\pm 0.125\%$ or better from max. nom. flow rate
Elect. registration: capable of $\pm 0.10\%$ or better from max. nom. flow rate
- Over 10:1 range
Mech. registration: capable of $\pm 0.22\%$ or better from max. nom. flow rate
Elect. registration: capable of $\pm 0.10\%$ or better from max. nom. flow rate
- Over 40:1 range
Mech. registration: capable of $\pm 0.5\%$ or better from max. nom. flow rate
Elect. registration: capable of $\pm 0.15\%$ or better from max. nom. flow rate

Temperature range

-40° F to 160° F (-40° C to 71° C)
For higher temperature applications, consult factory.

^e Stated accuracy obtainable when all variables remain constant. Reading/measurements reflect a minimum of one minute of flow at selected rate(s). All accuracy statements based on metering safety solvent (aliphatic hydrocarbon), approximate viscosity 1 CPS. On higher viscosity products, the average deviation in accuracy will be less.

Construction

Meter housing

M Series: aluminum, brass, cast-iron or stainless-steel
MS Series: steel or stainless steel (epoxy-coated steel available for aviation and other applications)

Meter element and rotors

Cast aluminum (other metalurgies available including cast iron and stainless steel)

Internal components

Aluminum, Ni-Resist, stainless steel, iron

Seal materials

UL recognized component: Buna-N, Viton®, Teflon®

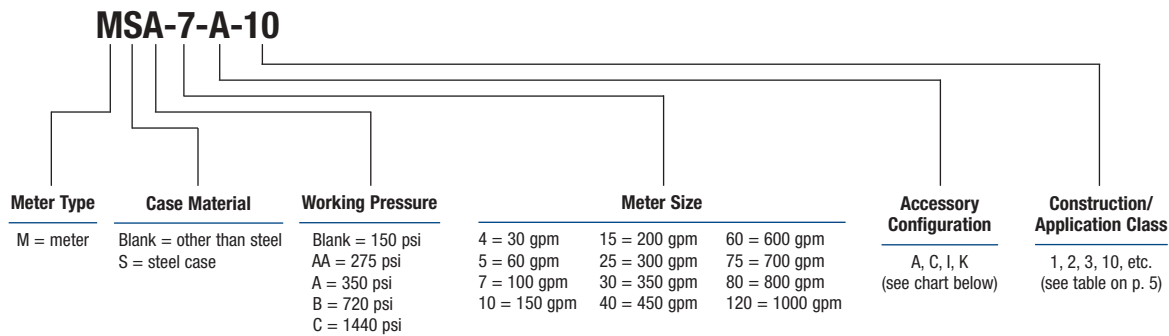
Bearings

Carbon, Teflon®, Ni-Resist

Viton® and Teflon® are registered trademarks of DuPont Corporation. Victaulic® is a registered trademark of Victaulic Company.

Specifications

Model number coding description



Standard accessory configurations A, C, I, K

M/MA-7-A

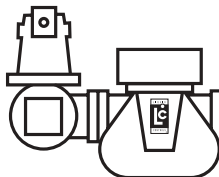
A = Meter with counter



Optional Accessories:
Printer, Strainer

M/MA-7-C

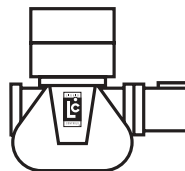
C = Meter with counter, strainer and air eliminator



Optional Accessories: Printer

M/MA-7-I

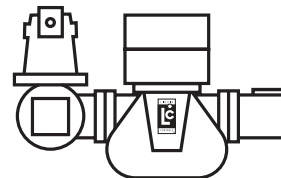
I = Meter with counter, preset counter and preset valve



Optional Accessories: Printer, Strainer

M/MA-7-K

K = Meter with counter, preset counter, preset valve, strainer and air eliminator



Optional Accessories: Printer

Mounting arrangements

LC meters may be mounted in a variety of configurations, as shown below. Do not position the meter on its side, i.e., with cover plate face down or up.



Note: regardless of meter mounting configurations, accessories such as the air/vapor eliminator must always be mounted in a vertical orientation to permit proper operation of the float-actuated apparatus.

Ordering

Please refer to chart above for LC model number coding system

Model	Description		
Flow rates:	Maximum	Normal	Minimum
Operating temperatures:	Maximum	Normal	Minimum
Maximum non-shock working pressure			
Maximum viscosity	@	(Temp/°F or °C)	
Specific gravity	Construction class: (1, 2, etc.)		

Direction of flow: L to R R to L

Seal material:

Standard Buna/Viton All Viton All Teflon

Read out:

Gallons Liters Pounds Other _____

Strainer basket: 40M 80M 100M 200M

Other _____

Flange size: _____

Flange type: RF or FF ANSI DIN Other _____

Options: _____



A tradition of excellence that benefits you

Almost fifty years ago, Liquid Controls set a new standard of excellence in engineering and building the finest flow meter products possible, starting with metering aviation fuel for the United States Air Force.

Since that time, the industry base we serve has grown, broadened. Our product line has expanded to include a wide variety of flow meters, accessories and related items distributed worldwide. But our commitment to excellence will never change. The professionals at Liquid Controls are driven to bring you products that perform efficiently and accurately, with minimum maintenance for years to come. Delivering everything you'd expect from the very best—that's our goal.

A good fit

In 2001, Liquid Controls joined the IDEX team of companies. IDEX is a leader in the manufacture of a broad range of pump products, dispensing equipment and other engineered technologies. Maintaining a theme of leadership, IDEX delivers Innovation, Diversity and EXcellence to thousands of valued customers around the world.



LIQUID CONTROLS

A Unit of IDEX Corporation
105 Albrecht Drive, Lake Bluff, IL 60044-2242
1.800.458.5262 • 847.295.1050
Fax: 847.295.1057
www.lcmeter.com



Copyright © 2003 Liquid Controls
Pub. 100-10 (10/03)



Printed on recycled paper
using soy inks